



SW9

(STAGE 3A)

CAPACITY:

Max Safe Load 9000kg
 Heaped 4427L
 Struck: 3126L
 Water: 2492L

ENGINE:

JCB444T 4 cylinder Turbo
 Displacement: 4.4L
 Max. power: 85kW/92bhp @ 2200rpm
 Max. torque: 440Nm @ 1300rpm
 Fuel Diesel
 Emissions Stage 3A

TRANSMISSION:

Torque Converter c/w 4 speed forward and reverse power shuttle transmission
 Permanent 4 wheel drive

DRIVE CHARACTERISTICS:

Forward / Reverse	1st	0-4.9 km/h	(0-3.1 mph)
	2nd	0-7.0 km/h	(0-4.9 mph)
	3rd	0-16.9 km/h	(0-10.6 mph)
	4th	0-32 km/h	(0-20 mph)

Steering Angle +/- 31°

Turning Circle: 11.9m

Grade-ability: 50%

Tyres: 500/60 R22.5 (Traction Profile)

Steering: Priority load sensing hydrostatic centre pivot

Working brakes: Multi-plate oil immersed discs mounted on both axles

Park brake: Hand operated, locking on dry disc acting on gearbox

NOISE LEVELS:

LWA 103dB(A)
 LPA 85dB(A)

TANK CAPACITIES:

Fuel: 70L
 Hydraulic: 70L

SKIP:

Hydraulically operated skip tipping to 90°
 Skip swivels past 180° for easy placement when driving along trenches (185° maximum)
 Automatic safety lock to hold skip in a central position when travelling
 Heavy duty fully welded skip with 8mm thick steel base, reinforced around top for greater strength
 Operated by a multi axis joystick for increased performance

ELECTRICAL INSTALLATION:

Heavy duty 60045 Battery: 12V, 185Ah 1000cca
 Wiring harness in protective sleeving
 Reversing alarm

HYDRAULICS:

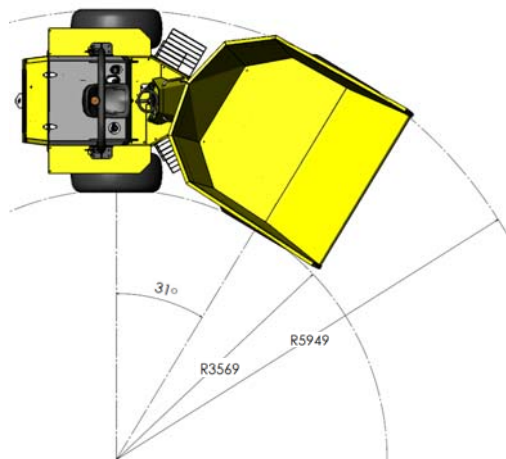
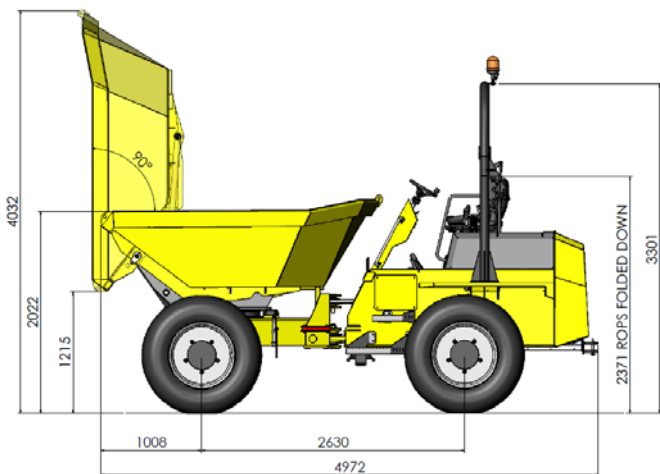
Hydraulic test points fitted as standard
 Easy access return oil filter on top of tank

SEATING & CONTROLS

Adjustable suspension seat accessible from both sides
 Clear access across dumper via galvanised steps
 Extra wide brake pedal
 Super bright warning lights and fuel gauge
 Steel constructed centre console for extra leg protection
 Operator level gear selection lever with integrated clutch button
 Column mounted directional control lever
 Anti-slip floor

SERVICE ACCESS:

Easy access for service & maintenance
 Lockable hinged engine cover
 Battery mounted securely under engine cover



NC Engineering (Hamiltonsbawn) Ltd
 2 Killyrudden Road, Hamiltonsbawn
 Richhill, Co Armagh
 Northern Ireland BT61 9SF

Tel: +44 (0) 28 3887 1970
 Fax: +44 (0) 28 3887 0362

Email: sales@nc-engineering.com
 Web: www.nc-engineering.com